

SPECIFICATION
ON
TOSHIBA CURRENCY FITNESS SORTER
MODEL : CF-401



MAY, 1985

TOSHIBA CORPORATION

Index

1.	Outline	1
2.	Configuration	2
3.	Specifications	3
4.	Operation	8
4.1	Counting	8
4.2	Facing	9
4.3	Fitness	10
4.4	Counting notes	10
4.5	Sorting notes	10
4.6	Manual input	11
4.7	Verification	11
4.8	Declared amount verification	13
4.9	Detection of M-detection error	15
4.10	Account number	16
4.11	Validity or invalidity of START and RE-START buttons	17

1. Outline

1.1 Application

This specifications is applicable for TOSHIBA FITNESS SORTER CF-401.

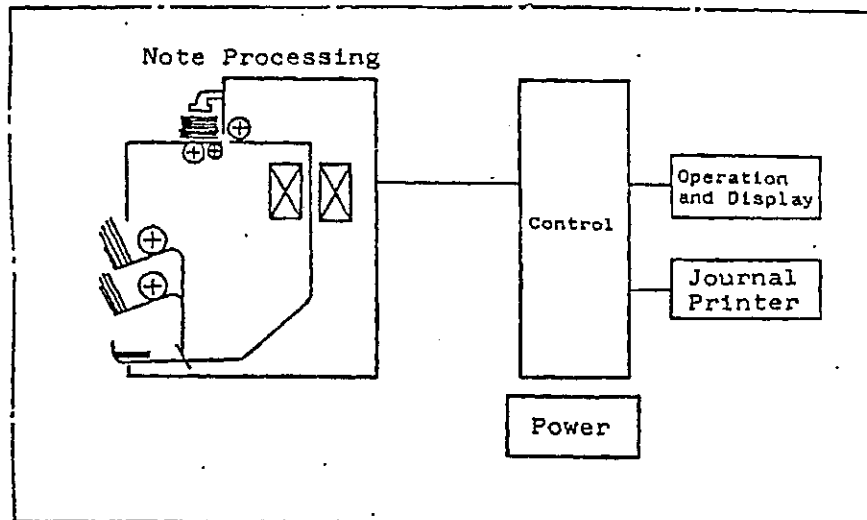
1.2 Service

A TOSHIBA FITNESS SORTER is a small-sized note processor developed for sorting operations such as "counting", "arranging denominations", "facing (face-up/face-down)" and "fitness (fit/unfit) of notes" by cashiers and in financial institutions.

1.3 Functions (\$1,\$2,\$5,\$10,\$20,\$50,\$100 are available.)

- Counting and inspecting mixed denominations
- Displaying amount of denominations
- Displaying quantity of denominations
- Selecting specified denominations
- Classifying denominations
- Facing (face-up/face-down)
- Fitness (fit/unfit)
- Counting notes (without detection)
- Manual input
- Verifying 100 pieces at a time (fitness mode)
- Declared amount verification (counting mode and facing mode)
- Journal printing
- Totalization

2. Configuration



- Note processing

Consists of insertion, inspector and stackers, and is realized by executing the control.

- Control

Consists of micro computers.

- Journal printer

Prints the result.

3. Specifications

3.1 General specifications

Item No.	Item	Specifications
1	External design	Shown in Fig. 1.
2	Dimensions	Approx. 420 (W) x 650 (D) x 590 (H) mm
3	Weight	Approx. 90 Kgs.
4	Power consumption	Approx. 450 VA
5	Environmental conditions	<p>(1) Installation location At operating financial institutions</p> <p>(2) Temperature 5 to 35 deg. C (On operation) -5 to 40 deg. C (Storage)</p> <p>(3) Relative humidity 45 to 85 % RH (No condensation should be allowed.)</p> <p>(4) Power Electric power 115 VAC \pm 10%</p> <p>Frequency 50/60 Hz (Optional at installation)</p> <p>Plug - Two prong plug (JIS C-8303) 125VAC 15A</p> <p>Ground resistance 100Ω and below</p> <p>Noise - must be low. Large amount capacity of variable loading must not be performed with one outlet and power source.</p> <p>Cable length - Approx. 2.2 m</p>

Item No.	Item	Specifications
6	Accessaries	2 fuses (8A) 1 cleaning brush 1 blower 1 cover for the body
7	Installation space	Required space for the regular use is shown in Fig. 1-2.

3.2 Specification for the main part

3.2.1 Operation and display

Item No.	Item	Specifications
1	Location of switches, etc.	Shown in Fig. 2.
2	Operation buttons	4 push button switches with LED lamps 18 push button switches 1 slide switch The names are shown in Fig. 2.
3	Display (1) Amount or quantity (2) Denomination (mode) display (3) Status display	\$1 - 8 digit (includes fit notes) \$2 - 8 digit (includes unfit notes) \$5 - 8 digit (includes face-up notes) \$10 - 8 digit (includes face-down notes) \$20 - 8 digit \$50 - 8 digit \$100 - 8 digit (includes manual input) Total - 8 digit Amount or quantity is displayed and changed over using the switch. Amount is displayed in Max. 8 digits, note quantity Max. 4 digits in zero surpress method. LED display 12 items Status code (3 digit) LED display - 8 items
4	Others (1) Fitness level switch (2) Power switch (3) Alarm buzzer	LED display - 8 items Digital switch is provided. (0 to 9) Rocker switch is provided. Is provided.

3.2.2 Note processing

Item No.	Item	Specifications
1	Denominations available	US \$1,\$2,\$5,\$10,\$20,\$50,\$100
2	Note set (1) Method (2) Insertion direction (3) Capacity of note set	Automatic lump insertion Stacked and inserted horizontally. Approx. 300 pieces/time.
3	Processing speed	Approx. 10 pieces/sec.
4	Inspection	Counterfeit type of denominations facing and fitness functions are shown in Table 1.
5	Classification of stackers Capacity Inspection of notes remaining Detection of M-detection error	3 stackers Upper stacker - Approx. 150 pieces (approx. 30 mm) Lower stacker - Approx. 150 pieces (approx. 30 mm) Reject - Approx. 50 pieces (approx. 30 mm) Is provided in each stacker. Provided . "SUSPECT" lump lit on

3.2.3 Journal printer

Item No.	Item	Specifications
1	Media specifications	Rolling paper 57.5 ± 0.5 mm (W) Outer diameter 60 ϕ Inside diameter 11 ϕ Ink ribbon 13 mm (W), 5 m (L)
2	External design	Shown in Fig. 3.
3	Printing method	5 x 7 dot matrix print
4	Printing speed	1.8 lines/sec.
5	Printing digit	24 digits/line
6	Type of characters	TOSHIBA standard characters (English, numbers and symbols)
7	Operation and display	FEED, POWER
8	Interface	Connected with a cable for exclusive use (approx. 2 m)
9	Accessaries	1 roll of ink ribbon 1 roll of paper 1 cable

4. Operation

4.1 Counting (when **COUNT** key is pressed)

(1) Counting and inspecting mixed denominations (four denominations)

Mixed denomination are counterfeit-prevented ,and the unreadable denominations are rejected.

The quantity (amount) by every denomination and the total amount are displayed.

The quantity that can be counted at a time is fixed at 100 notes .

(2) Sorting and counting by assigning one denomination

Mixed denomination are counterfeit-prevented ,and the unreadable denominations are rejected.

The assigned denominations are sorted to the upper stacker and the unassigned denominations are sorted to the lower stacker.

The quantity (amount) by every denomination and the total amount are displayed.

(3) Sorting and counting by assigning two denominations

Mixed denomination are counterfeit-prevented ,and the unreadable denominations and the unassigned denominations are rejected.

The first-assigned note is sorted to the upper stacker and the second-assigned note is sorted to the lower stacker. The quantity (amount) by every denomination and the total amount in two assigned denominations are displayed.

The same kinds of denominations can be assigned both in the upper stacker and in the lower stacker.

4.2 Facing (when **FACING** key is pressed)

(1) Sorting face-up/face-down and counting mixed denominations

Mixed denomination are counterfeit-prevented ,and the unreadable denominations are rejected.

The facing notes are sorted to the upper stacker and the unfacing notes are sorted to the lower stacker.

The total quantity (amount) of face-up/face-down notes by every denomination and the total amount of face-up/face-down notes are displayed.

The quantity that can be counted at a time is fixed at 100 notes.

(2) Sorting face-up/face-down and counting denominations by assigning one type

The assigned denomination is counterfeit-prevented ,and the unreadable denominations and the unassigned denominations are rejected.

The face-up notes of assigned denomination sorted to the upper stacker and the face-down notes of assigned denomination are sorted to the lower stacker. The quantity of face-up/face-down notes (total amount of face-up/face-down notes by every denomination) and the total amount of face-up/face-down notes are displayed.

4.3 Fitness (when FIT/UNFIT key is pressed)

The assigned denomination is counterfeit-prevented, and the unreadable denominations, the unassigned denominations, and the face-down notes of assigned denomination are rejected. The face-up fit notes of assigned denomination are sorted to the upper stacker and the face-up unfit notes of assigned denomination are sorted to the lower stacker.

The quantity of fit and unfit notes (total amount of fit/unfit notes) and the total quantity (amount) are displayed.

4.4 Counting notes (when NOTE Count key is pressed)

The notes are only counted without counterfeiting and identifying the denominations. The notes which the counting cannot be reliable are rejected, for example, picking up two pieces. In addition, the total quantity excluding the rejected notes are displayed.

4.5 Sorting notes

The quantity that is counted at a time can be assigned from 1 to 150.

The above 4.1 to 4.4 can be covered in common. In "counting and inspecting mixed denomination" and "counting notes", when the assigned quantity fills the upper stacker, the lower stacker will be supplied. When the assigned quantity fills the lower stacker, the upper stacker will be supplied. If the notes remains in the upper stacker, the counting operation stops automatically.

Removing all notes in the upper and lower stacker will start the count operation automatically.

In "sorting and counting by assigning denomination(s)",
"face-up/face-down" and "fit/unfit",

when the assigned quantity fills the upper stacker or the lower stacker, the counting operation stops automatically. Removing this assigned quantity will start the counting operation automatically.

4.6 Manual input

In "counting" and "face-up/face-down", the amount can be input. After the amount is input, that input amount will be added into the total amount by pressing **REJ** button.

In "fit/unfit" and "counting notes", the quantity can be input. After the quantity is input, that input quantity will be added into the total quantity by pressing **REJ** button.

4.7 Verification (**VERIFY**)

(1) Counting and face-up/face-down modes

By pressing **VERIFY** button, the present displayed contents will be printed. Continuously, by pressing **RESET** button and then second **VERIFY** button, the subtotal (the total adding the previous subtotal and the present subtotal) will be printed.

Continuously, by pressing **RESET** button and then third **VERIFY** button, the grand total (the total adding the previous grand total and the present grand total) will be printed.

The subtotal and the grand total can be totalized separately in "counting" mode or "face-up/face-down" mode.

Moreover, pressing the second and the third **VERIFY** button are valid after the printing is completed.

(2) Fit/unfit mode

By pressing **VERIFY** button again, verify whether the sum of both the total quantity (except the rejected notes) counted and the total quantity of the manual input since the **VERIFY** button was previously pressed are 100 notes integer-fold.

When it is OK, the journal is printed and the next operation has to be waited.

When the error occurs, the error code and "O/S" are displayed.

Two procedures after the error are taken as follows:

(a) Manual re-input

After the quantity is input, the quantity can be re-input by pressing **REJ** button. Verify it again by pressing **VERIFY** button. This operation can be performed only once.

(b) Re-set

After pressing **RESET** button, the present amount and "UNMATCH" are printed by pressing **VERIFY** button and then this processing is completed. In this case, the present amount is added into the total.

After finishing the first printing, "**BTH TOTAL*" (Batch total) (the amount on and after the previous second **VERIFY** button pressing) is printed by pressing **RESET** button and then **VERIFY** button again.

(3) Counting notes mode

The present displayed contents will be printed by pressing **VERIFY** button. The subtotal and grand total are not totalized.

4.8 Declared amount verification

Both "count mode" and "face-up/face-down mode" are only valid.

The declared amount is input before starting count (**START**) and then **DEC** button is pressed.

By pressing **VERIFY** button after finishing counting, verify whether the declared amount is equal to the sum of both the total amount (except the rejected one) counted from the **START** button push to the **VERIFY** button push and the total amount of the manual input.

When it is OK, the journal is printed and the next operation has to be waited.

Two procedures after the error are taken as follows:

(1) Manual re-input

After an amount is input, the amount is re-input by pressing **REJ** button. Verify it again by pressing **VERIFY** button. This operation can be performed only once.

(2) Reset

After pressing **RESET** button, the present amount and "SHORT" or "OVER" are printed by pressing **VERIFY** button and this processing is completed.

In this case, the present amount is added into the total.

(3) Retry

After pressing **RETRY** button, the present amount and "CANCELLED" are printed and this processing is completed.

In this case, the present amount is not added into the total.

If **DEC AMT** button is pressed without inputting a declared amount, the declared amount is the same as the previous one. (The declared amount is cleared to the zero when the power is on and after the mode is changed.)

In addition, the following features can be selected by the changeover switch of CE (customer engineer).

(1) Switching between the system which the counting result is always displayed and the system which the counting result is displayed only when the verified result is OK and when **VERIFY** button is pressed after pressing **RESET** button.

(2) Switching between the system which the declared amount is surely input and **DEC AMT** button is pressed and the system which the declared amount is not always required. (If the system is surely input, the declared amount assigned to the zero is invalid.)

4.9 Detection of M-detection error

"COUNT" , "FACING" and "FIT/UNFIT" mode are able to detect counterfeit by magnetism detection . When it detect counterfeit note , buzzer(2 3 sec) and "SUSPECT" lamp is lit on . The "SUSPECT" lamp is lit on until remove the note of reject stacker.

4.10 Account number

(1) Input method

Key-in the key number (maximum 10 digits) continuously and press

ACCT
NUM
#

 key.

Re-input it when making a mistake. The limit of the input digits is from 1 to 10 without checking the digit number.

(Ex.) In case of 12345678

1	2	3	4	5	6	7	8	<table border="1"><tr><td>ACCT</td></tr><tr><td>NUM</td></tr><tr><td>#</td></tr></table>	ACCT	NUM	#
ACCT											
NUM											
#											

(Note) When ninth-digit is input, the first 1 digit disappears from the display.

When tenth-digit is input, the first 1 digit and 2 digit disappear from the display.

(2) Monitor display while input.

While inputting the number, it is displayed at the bottom line of the display in the order of inputting and shifted to the left in sequence until pressing

ACCT
NUM
#

 key.

(3) The account number is stored after completing the input and is printed at the time of the printer output.

(4) The account number input is valid whenever the machine may stop.

(5) The account number is cleared to the zero when the power is on and after the mode is changed.

4.1.1 Validity or Invalidity of **START**, **RE-START** button

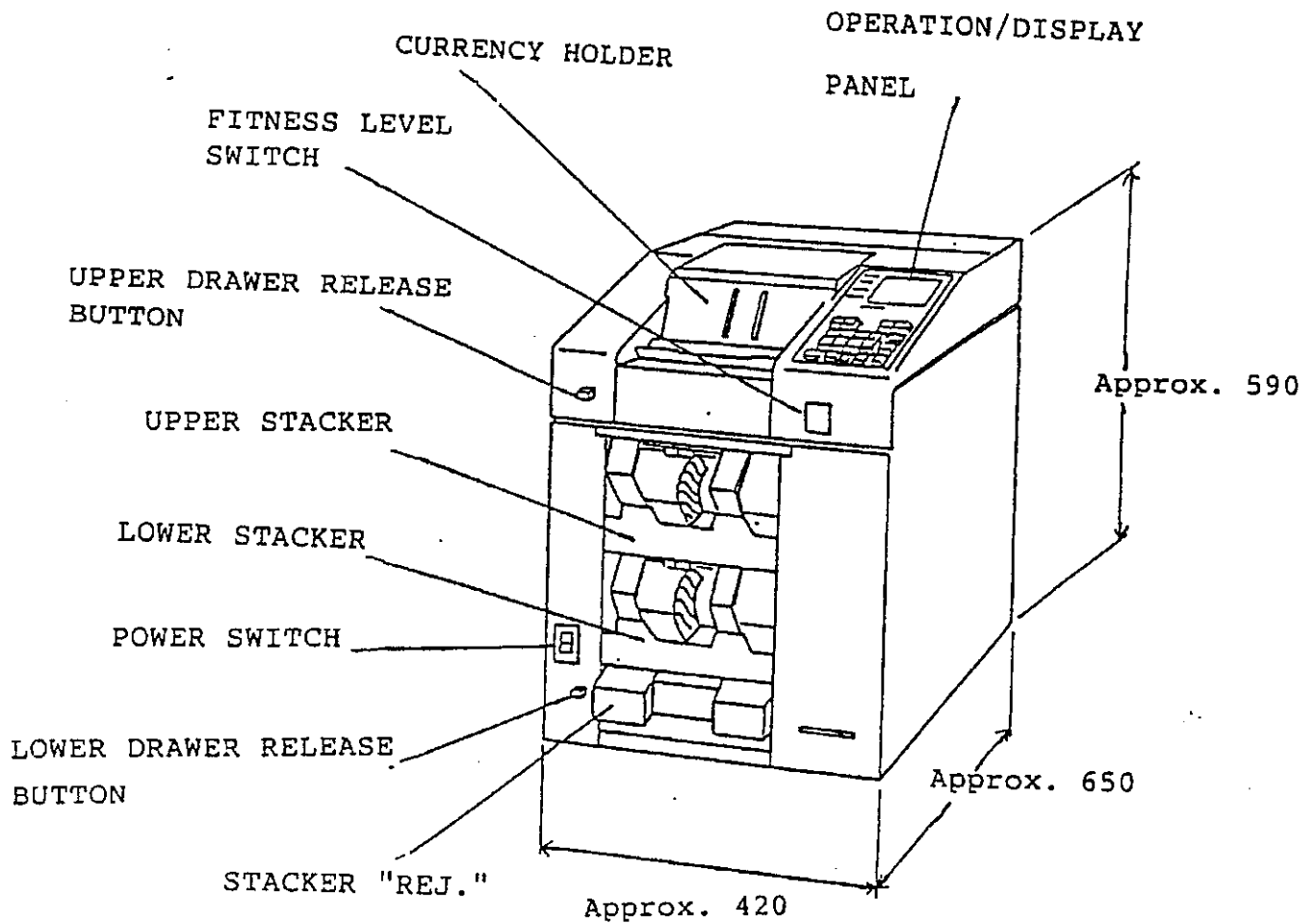
mode condition		Counting	Face-up/ Face-down	Fit/ Unfit	Counting Notes
VERIFY After first push	START	○	○	x	○
	RE-START	x	x	○	x
VERIFY After second push	START	○	○	○	/
	RE-START	x	x	x	/
VERIFY After third push	START	○	○	/	/
	RE-START	x	x	/	/
RETRY After push	START	○	○	/	/
	RE-START	x	x	/	/

○ : Valid

x : Invalid

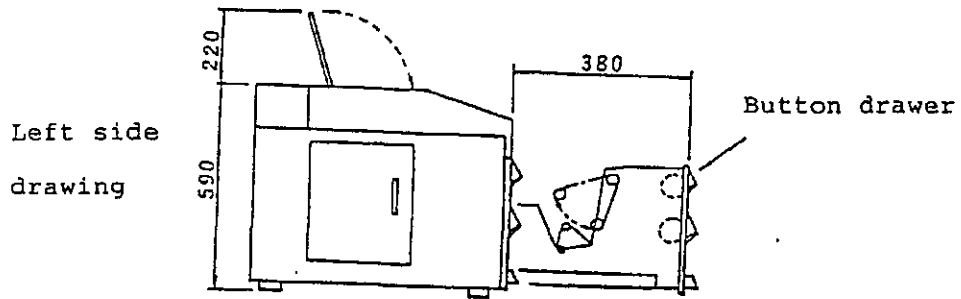
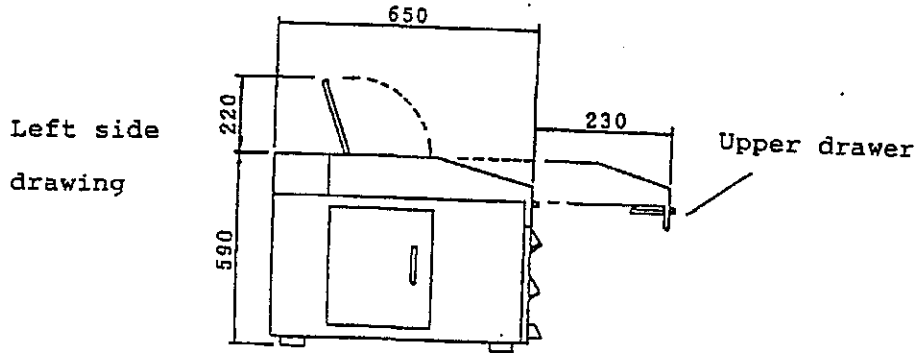
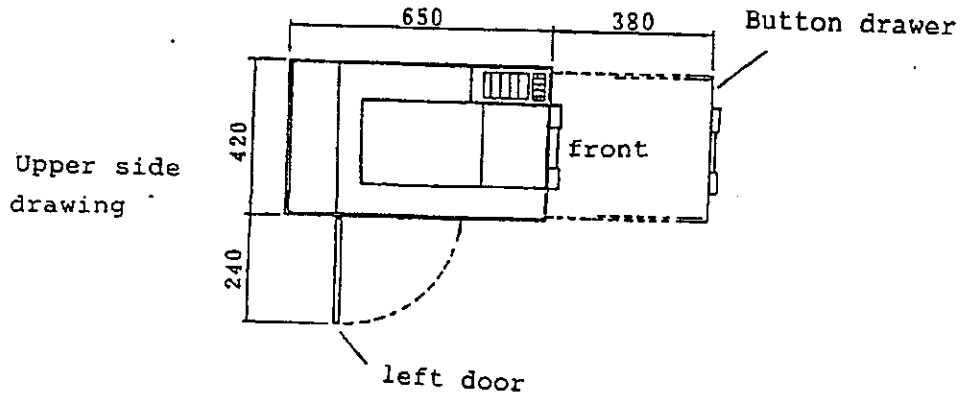
Table 1. NOTE PROCESSING

MODE	COUNTING			FACE-UP/FACE-DOWN		FIT/UNFIT	COUNTING NOTES
	NONE	ONE	TWO (*1 & *2)	NONE	ONE		
DENOMINATION ASSIGNMENT	NONE	ONE	TWO (*1 & *2)	NONE	ONE	ONE	NONE
QUANTITY ASSIGNMENT (INITIAL QUANTITY)	100 ONLY (100)	1 TO 150 (100)	1 TO 150 (100)	100 ONLY (100)	1 TO 150 (100)	1 TO 150 (100)	1 TO 150 (100)
STACKER LOWER	MIXTURE IN UPPER STACKER UNTIL FULL	ASSIGNED DENOMINATION	ASSIGNED DENOMINATION *1	FACE-UP MIXTURE OF DENOMINATION	FACE-UP ASSIGNED DENOMINATION	FACE-UP FIT NOTES OF ASSIGNED DENOMINATION	COUNTABLE NOTE IN UPPER STACKER UNTIL FULL
	THEN IN LOWER STACKER UNTIL FULL	OTHER DENOMINATION	ASSIGNED DENOMINATION *2	FACE-DOWN MIXTURE OF DENOMINATION	FACE-DOWN ASSIGNED DENOMINATION	FACE-UP UNFIT NOTES OF ASSIGNED DENOMINATION	THEN IN LOWER STACKER UNTIL FULL
REJECT	UNREADABLE	UNREADABLE	OTHER DENOMINATION, UNREADABLE	UNREADABLE	OTHER DENOMINATION, UNREADABLE	FACE-DOWN OF ASSIGNED DENOMINATION, OTHER DENOMINATION	UNCOUNTABLE NOTE (PICK UP 2 PIECES 0)



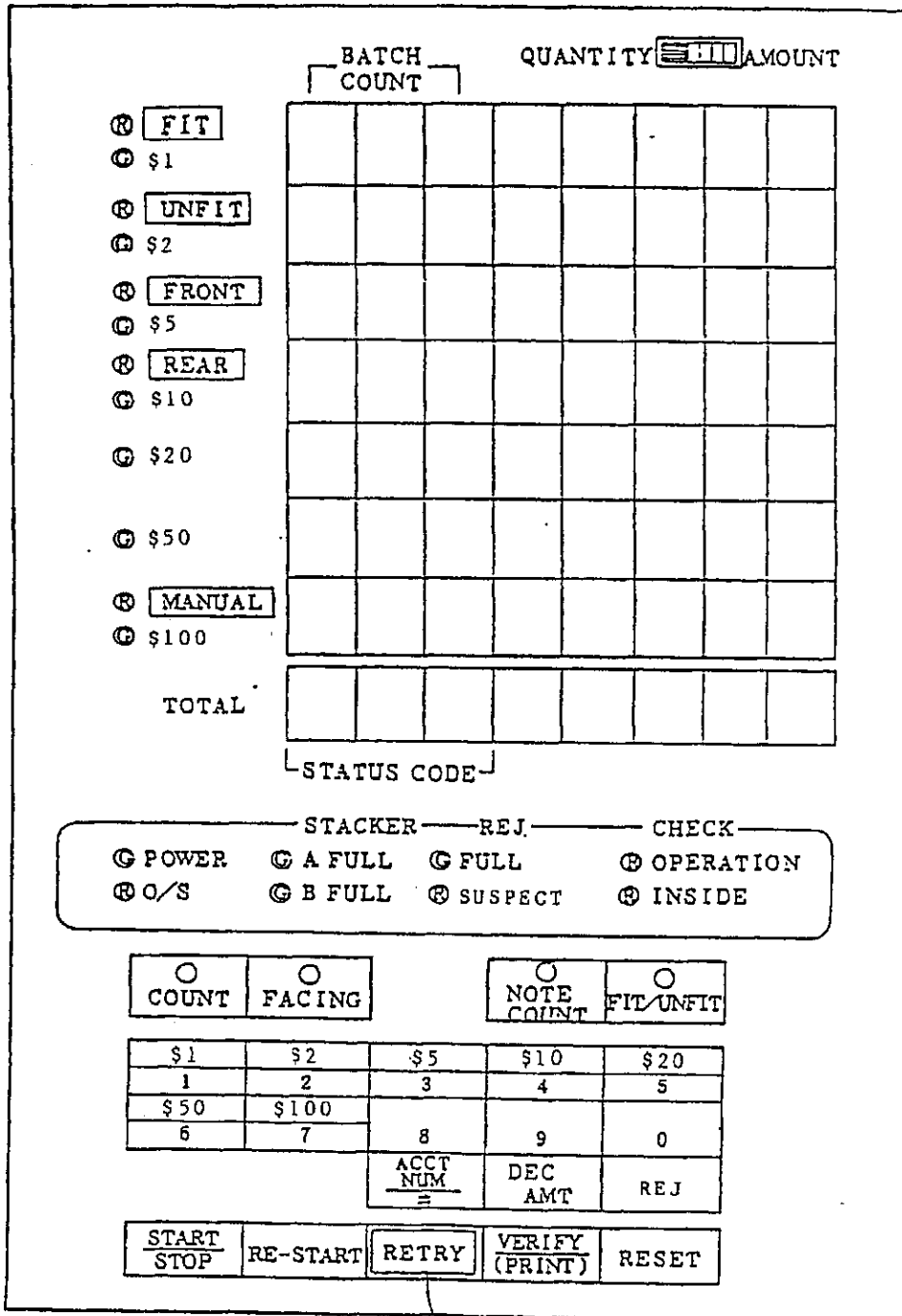
(Unit:mm)

Fig.1 External design



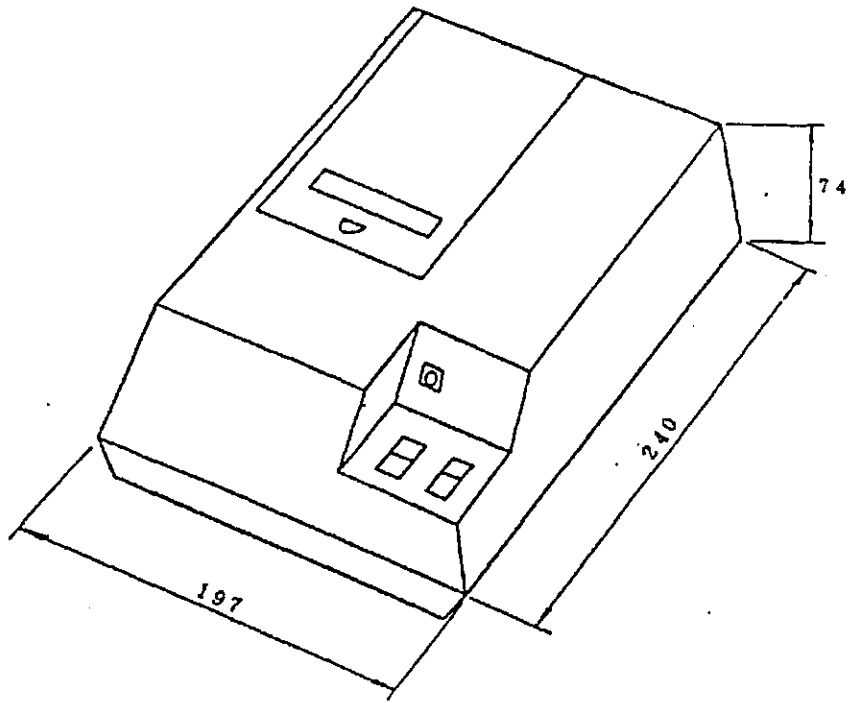
(Unit: mm)

Fig. Installation space



→ with cover : RED LED
 : GREEN LED

Fig.2 Operation panel



(Unit: mm)

Fig.3 Journal printer external design

PRINTING FORMAT SPECIFICATIONS
ON
TOSHIBA CURRENCY FITNESS SORTER
MODEL : CF-401



MAY, 1985

TOSHIBA CORPORATION

Contents

1.Counting (present display content)	-----	1
2.Counting (declared amount verify ok)	-----	2
3.Counting (declared amount verify short)	-----	3
4.Counting (declared amount verify over)	-----	4
5.Counting (cancel)	-----	5
6.Counting (subtotal)	-----	6
7.Counting (grandtotal)	-----	7
8.Facing (present display content)	-----	8
9.Facing (declared amount verify ok)	-----	9
10.Facing (declared amount verify short)	-----	10
11.Facing (declared amount verify over)	-----	11
12.Facing (cancel)	-----	12
13.Facing (subtotal)	-----	13
14.Facing (grandtotal)	-----	14
15. Fit/Unfit (100 notes verify first time OK)	-----	15
16. Fit/Unfit (100 notes verify from the second time on OK)	-----	16
17. Fit/Unfit (100 notes verify first time UNMATCH)	-----	17
18. Fit/Unfit (100 notes verify from the second time on UNMATCH)	-----	18
19. Fit/Unfit (batch total)	-----	19
20.Counting notes (present display content)	-----	20

2.Counting (declared amount verify ok)

	0										10										20									
	1	2	3	4	5	6	7	8	9	0	1	2	3	4	5	6	7	8	9	0	1	2	3							
1																														
2																														
3																														
4																														
5																														
6																														
7																														
8																														
9																														
10																														
11																														
12																														
13																														
14																														
15																														

LINE	COLUMN	CONTENT	TYPE
2	2 - 11	account number	N10
		(no input time all "0")	
2	20 - 23	print serial number	Z4
		(VERIFY push down times)	
3	7 - 11	\$1 quantity	Z5
4	7 - 11	\$2 quantity	Z5
5	7 - 11	\$5 quantity	Z5
6	7 - 11	\$10 quantity	Z5
7	7 - 11	\$20 quantity	Z5
3	14 - 23	\$1 amount	Z10(,inc.)
4	14 - 23	\$2 amount	Z10(,inc.)
5	14 - 23	\$5 amount	Z10(,inc.)
6	14 - 23	\$10 amount	Z10(,inc.)
10	14 - 23	total amount (machine quantity)	Z10(,inc.)
11	14 - 23	manual input amount	Z10(,inc.)
12	14 - 23	grandtotal amount (total + manual	Z10(,inc.)
		input)	
13	14 - 23	declared amount input	Z10(,inc.)
8	7 - 11	\$50 quantity	Z5
9	7 - 11	\$100 quantity	Z5
7	14 - 23	\$20 amount	Z10(,inc.)
8	14 - 23	\$50 amount	Z10(,inc.)
9	14 - 23	\$100 amount	Z10(,inc.)

3.Counting (declared amount verify short)

	0										10										20									
	1	2	3	4	5	6	7	8	9	0	1	2	3	4	5	6	7	8	9	0	1	2	3							
1																														
2																														
3																														
4																														
5																														
6																														
7																														
8																														
9																														
10																														
11																														
12																														
13																														
14																														
15																														

LINE	COLUMN	CONTENT	TYPE
2	2 - 11	account number (no input time all "0")	N10
2	20 - 23	print serial number ([VERIFY] push down times)	Z4
3	7 - 11	\$1 quantity	Z5
4	7 - 11	\$2 quantity	Z5
5	7 - 11	\$5 quantity	Z5
6	7 - 11	\$10 quantity	Z5
7	7 - 11	\$20 quantity	Z5
3	14 - 23	\$1 amount	Z10(,inc.)
4	14 - 23	\$2 amount	Z10(,inc.)
5	14 - 23	\$5 amount	Z10(,inc.)
6	14 - 23	\$10 amount	Z10(,inc.)
10	14 - 23	total amount (machine quantity)	Z10(,inc.)
11	14 - 23	manual input amount	Z10(,inc.)
12	14 - 23	grandtotal amount (total - manual input)	Z10(,inc.)
13	14 - 23	declared amount input	Z10(,inc.)
8	7 - 11	\$50 quantity	Z5
9	7 - 11	\$100 quantity	Z5
7	14 - 23	\$20 amount	Z10(,inc.)
8	14 - 23	\$50 amount	Z10(,inc.)
9	14 - 23	\$100 amount	Z10(,inc.)

4.Counting (declared amount verify over)

	0	10										20											
	1	2	3	4	5	6	7	8	9	0	1	2	3	4	5	6	7	8	9	0	1	2	3
1										C	O	U	N	T									
2	#	X	X	X	X	X	X	X	X	X	#					N	O	.	X	X	X	X	
3	\$			1			X	X	X	X			X	X	X	X	X	X	X	X	X	X	
4	\$			2			X	X	X	X			X	X	X	X	X	X	X	X	X	X	
5	\$			5			X	X	X	X			X	X	X	X	X	X	X	X	X	X	
6	\$		1	0			X	X	X	X			X	X	X	X	X	X	X	X	X	X	
7	\$		2	0			X	X	X	X			X	X	X	X	X	X	X	X	X	X	
8	\$		5	0			X	X	X	X			X	X	X	X	X	X	X	X	X	X	
9	\$	1	0	0			X	X	X	X			X	X	X	X	X	X	X	X	X	X	
10	T	O	T	A	L								X	X	X	X	X	X	X	X	X	X	
11	M	N	L		I	N	P	U	T				X	X	X	X	X	X	X	X	X	X	
2	*	T	O	T	A	L	*						X	X	X	X	X	X	X	X	X	X	
3	*	D	E	C	A	M	T						X	X	X	X	X	X	X	X	X	X	
4	*	*	*				O	V	E	R	X	X	X	X	X	X	X	X	X	X	*	*	
5																							

LINE	COLUMN	CONTENT	TYPE
2	2 - 11	account number	N10
		(no input time all "0")	
2	20 - 23	print serial number	Z4
		(VERIFY push down times)	
3	7 - 11	\$1 quantity	Z5
4	7 - 11	\$2 quantity	Z5
5	7 - 11	\$5 quantity	Z5
6	7 - 11	\$10 quantity	Z5
7	7 - 11	\$20 quantity	Z5
3	14 - 23	\$1 amount	Z10(.inc.)
4	14 - 23	\$2 amount	Z10(.inc.)
5	14 - 23	\$5 amount	Z10(.inc.)
6	14 - 23	\$10 amount	Z10(.inc.)
10	14 - 23	total amount (machine quantity)	Z10(.inc.)
11	14 - 23	manual input amount	Z10(.inc.)
12	14 - 23	grandtotal amount (total + manual input)	Z10(.inc.)
13	14 - 23	declared amount input	Z10(.inc.)
8	7 - 11	\$50 quantity	Z5
9	7 - 11	\$100 quantity	Z5
7	14 - 23	\$20 amount	Z10(.inc.)
8	14 - 23	\$50 amount	Z10(.inc.)
9	14 - 23	\$100 amount	Z10(.inc.)

7.Counting (grandtotal)

	0	10										20											
	1	2	3	4	5	6	7	8	9	0	1	2	3	4	5	6	7	8	9	0	1	2	3
1																							
2																							
3																							
4																							
5																							
6																							
7																							
8																							
9																							
10																							
11																							
12																							
13																							
14																							
15																							

LINE	COLUMN	CONTENT	TYPE
2	2 - 11	account number	N10
		(no input time all "0")	
2	20 - 23	print serial number	Z4
		(VERIFY push down times)	
3	7 - 11	\$1 quantity	Z5
4	7 - 11	\$2 quantity	Z5
5	7 - 11	\$5 quantity	Z5
6	7 - 11	\$10 quantity	Z5
7	7 - 11	\$20 quantity	Z5
3	14 - 23	\$1 amount	Z10(,inc.)
4	14 - 23	\$2 amount	Z10(,inc.)
5	14 - 23	\$5 amount	Z10(,inc.)
6	14 - 23	\$10 amount	Z10(,inc.)
10	14 - 23	total amount (machine quantity)	Z10(,inc.)
11	14 - 23	manual input amount	Z10(,inc.)
12	14 - 23	grandtotal amount (total + manual	Z10(,inc.)
		input)	
8	7 - 11	\$50 quantity	Z5
9	7 - 11	\$100 quantity	Z5
7	14 - 23	\$20 amount	Z10(,inc.)
8	14 - 23	\$50 amount	Z10(,inc.)
9	14 - 23	\$100 amount	Z10(,inc.)

8.Facing (present display content)

0	10										20											
1	2	3	4	5	6	7	8	9	0	1	2	3	4	5	6	7	8	9	0	1	2	3
				*				F		A		C		E			*					
#	X	X	X	X	X	X	X	X	X	X	#					N	O	.	X	X	X	X
\$			1			X	X	X	X	X			X	X	X	X	X	X	X	X	X	X
\$			2			X	X	X	X	X			X	X	X	X	X	X	X	X	X	X
\$			5			X	X	X	X	X			X	X	X	X	X	X	X	X	X	X
\$		1	0			X	X	X	X	X			X	X	X	X	X	X	X	X	X	X
\$		2	0			X	X	X	X	X			X	X	X	X	X	X	X	X	X	X
\$		5	0			X	X	X	X	X			X	X	X	X	X	X	X	X	X	X
\$	1	0	0			X	X	X	X	X			X	X	X	X	X	X	X	X	X	X
T	O	T	A	L									X	X	X	X	X	X	X	X	X	X
M	N	L		I	N	P	U	T					X	X	X	X	X	X	X	X	X	X
*	T	O	T	A	L	*							X	X	X	X	X	X	X	X	X	X

LINE	COLUMN	CONTENT	TYPE
2	2 - 11	account number	N10
		(no input time all "0")	
2	20 - 23	print serial number	Z4
		(VERIFY push down times)	
3	7 - 11	\$1 quantity	Z5
4	7 - 11	\$2 quantity	Z5
5	7 - 11	\$5 quantity	Z5
6	7 - 11	\$10 quantity	Z5
7	7 - 11	\$20 quantity	Z5
3	14 - 23	\$1 amount	Z10(.inc.)
4	14 - 23	\$2 amount	Z10(.inc.)
5	14 - 23	\$5 amount	Z10(.inc.)
6	14 - 23	\$10 amount	Z10(.inc.)
10	14 - 23	total amount (machine quantity)	Z10(.inc.)
11	14 - 23	manual input amount	Z10(.inc.)
12	14 - 23	grandtotal amount (total + manual	Z10(.inc.)
8	7 - 11	\$50 quantity	Z5
9	7 - 11	\$100 quantity	Z5
7	14 - 23	\$20 amount	Z10(.inc.)
8	14 - 23	\$50 amount	Z10(.inc.)
9	14 - 23	\$100 amount	Z10(.inc.)

10.Facing (declared amount verify short)

	0	10										20												
	1	2	3	4	5	6	7	8	9	0	1	2	3	4	5	6	7	8	9	0	1	2	3	
1				*				F		A		C		E				*						
2	#	X	X	X	X	X	X	X	X	X	#					N	O	.	X	X	X	X		
3	\$			1			X	X	X	X			X	X	X	X	X	X	X	X	X	X	X	X
4	\$			2			X	X	X	X			X	X	X	X	X	X	X	X	X	X	X	X
5	\$			5			X	X	X	X			X	X	X	X	X	X	X	X	X	X	X	X
6	\$		1	0			X	X	X	X			X	X	X	X	X	X	X	X	X	X	X	X
7	\$		2	0			X	X	X	X			X	X	X	X	X	X	X	X	X	X	X	X
8	\$		5	0			X	X	X	X			X	X	X	X	X	X	X	X	X	X	X	X
9	\$	1	0	0			X	X	X	X			X	X	X	X	X	X	X	X	X	X	X	X
0	T	O	T	A	L								X	X	X	X	X	X	X	X	X	X	X	X
1	M	N	L		I	N	P	U	T				X	X	X	X	X	X	X	X	X	X	X	X
2	*	T	O	T	A	L	*						X	X	X	X	X	X	X	X	X	X	X	X
3	*	D	E	C	A	M	T						X	X	X	X	X	X	X	X	X	X	X	X
4	*	*	*		S	H	O	R	T	X	X	X	X	X	X	X	X	X	X		*	*	*	
5																								

LINE	COLUMN	CONTENT	TYPE
2	2 - 11	account number (no input time all "0")	N10
2	20 - 23	print serial number (<u>VERIFY</u> push down times)	Z4
3	7 - 11	\$1 quantity	Z5
4	7 - 11	\$2 quantity	Z5
5	7 - 11	\$5 quantity	Z5
6	7 - 11	\$10 quantity	Z5
7	7 - 11	\$20 quantity	Z5
3	14 - 23	\$1 amount	Z10(.inc.)
4	14 - 23	\$2 amount	Z10(.inc.)
5	14 - 23	\$5 amount	Z10(.inc.)
6	14 - 23	\$10 amount	Z10(.inc.)
10	14 - 23	total amount (machine quantity)	Z10(.inc.)
11	14 - 23	manual input amount	Z10(.inc.)
12	14 - 23	grandtotal amount (total - manual input)	Z10(.inc.)
13	14 - 23	declared amount input	Z10(.inc.)
8	7 - 11	\$50 quantity	Z5
9	7 - 11	\$100 quantity	Z5
7	14 - 23	\$20 amount	Z10(.inc.)
8	14 - 23	\$50 amount	Z10(.inc.)
9	14 - 23	\$100 amount	Z10(.inc.)

11. Facing (declared amount verify over)

	0										10										20									
	1	2	3	4	5	6	7	8	9	0	1	2	3	4	5	6	7	8	9	0	1	2	3							
1																														
2																														
3																														
4																														
5																														
6																														
7																														
8																														
9																														
10																														
11																														
12																														
13																														
14																														
15																														

LINE	COLUMN	CONTENT	TYPE
2	2 - 11	account number	N10
		(no input time all "0")	
2	20 - 23	print serial number	Z4
		(VERIFY push down times)	
3	7 - 11	\$1 quantity	Z5
4	7 - 11	\$2 quantity	Z5
5	7 - 11	\$5 quantity	Z5
6	7 - 11	\$10 quantity	Z5
7	7 - 11	\$20 quantity	Z5
3	14 - 23	\$1 amount	Z10(,inc.)
4	14 - 23	\$2 amount	Z10(,inc.)
5	14 - 23	\$5 amount	Z10(,inc.)
6	14 - 23	\$10 amount	Z10(,inc.)
10	14 - 23	total amount (machine quantity)	Z10(,inc.)
11	14 - 23	manual input amount	Z10(,inc.)
12	14 - 23	grandtotal amount (total - manual input)	Z10(,inc.)
13	14 - 23	declared amount input	Z10(,inc.)
8	7 - 11	\$50 quantity	Z5
9	7 - 11	\$100 quantity	Z5
7	14 - 23	\$20 amount	Z10(,inc.)
8	14 - 23	\$50 amount	Z10(,inc.)
9	14 - 23	\$100 amount	Z10(,inc.)

14. Racing (grand total)

	0										10										20									
	1	2	3	4	5	6	7	8	9	0	1	2	3	4	5	6	7	8	9	0	1	2	3							
1		*		F		A		C		E				G		T		*												
2	#	X	X	X	X	X	X	X	X	X	#						N	O	.	X	X	X	X							
3	\$			1			X	X	X	X	X			X	X	X	X	X	X	X	X	X	X							
4	\$			2			X	X	X	X	X			X	X	X	X	X	X	X	X	X	X							
5	\$			5			X	X	X	X	X			X	X	X	X	X	X	X	X	X	X							
6	\$		1	0			X	X	X	X	X			X	X	X	X	X	X	X	X	X	X							
7	\$		2	0			X	X	X	X	X			X	X	X	X	X	X	X	X	X	X							
8	\$		5	0			X	X	X	X	X			X	X	X	X	X	X	X	X	X	X							
9	\$	1	0	0			X	X	X	X	X			X	X	X	X	X	X	X	X	X	X							
10	T	O	T	A	L									X	X	X	X	X	X	X	X	X	X							
11	M	N	L		I	N	P	U	T					X	X	X	X	X	X	X	X	X	X							
12	*	T	O	T	A	L	*							X	X	X	X	X	X	X	X	X	X							
13																														
14																														
15																														

LINE	COLUMN	CONTENT	TYPE
2	2 - 11	account number (no input time all "0")	N10
2	20 - 23	print serial number (VERIFY push down times)	Z4
3	7 - 11	\$1 quantity	Z5
4	7 - 11	\$2 quantity	Z5
5	7 - 11	\$5 quantity	Z5
6	7 - 11	\$10 quantity	Z5
7	7 - 11	\$20 quantity	Z5
3	14 - 23	\$1 amount	Z10(.inc.)
4	14 - 23	\$2 amount	Z10(.inc.)
5	14 - 23	\$5 amount	Z10(.inc.)
6	14 - 23	\$10 amount	Z10(.inc.)
10	14 - 23	total amount (machine quantity)	Z10(.inc.)
11	14 - 23	manual input amount	Z10(.inc.)
12	14 - 23	grandtotal amount (total - manual input)	Z10(.inc.)
8	7 - 11	\$50 quantity	Z5
9	7 - 11	\$100 quantity	Z5
7	14 - 23	\$20 amount	Z10(.inc.)
8	14 - 23	\$50 amount	Z10(.inc.)
9	14 - 23	\$100 amount	Z10(.inc.)

15. Fit/Unfit (ICC notes verify first time OK)

	0	10										20											
	1	2	3	4	5	6	7	8	9	0	1	2	3	4	5	6	7	8	9	0	1	2	3
1																							
2																							
3																							
4																							
5																							
6																							
7																							
8																							
9																							
10																							
11																							
12																							
13																							
14																							
15																							

LINE	COLUMN	CONTENT	TYPE
2	2 - 11	account number (no input time all "0")	N10
2	20 - 23	print serial number (VERIFY push down times)	Z4
4	12 - 15	specified denomination (one of: 1, 2, 5, 10, 20, 50, 100)	C4
6	8 - 12	fit notes quantity	Z5
7	8 - 12	unfit notes quantity	Z5
8	8 - 12	total quantity	Z5
9	8 - 12	manual input quantity	Z5
10	8 - 12	grandtotal (total - manual input) quantity	Z5
6	14 - 23	fit notes amount	Z10(.inc.)
7	14 - 23	unfit notes amount	Z10(.inc.)
8	14 - 23	total amount	Z10(.inc.)
9	14 - 23	manual input amount	Z10(.inc.)
10	14 - 23	grandtotal (total + manual input) quantity	Z10(.inc.)

17. FIT / UNFIT (100 NOTES VERIFY FIRST TIME UNMATCH)

	0										10										20																			
	1	2	3	4	5	6	7	8	9	0	1	2	3	4	5	6	7	8	9	0	1	2	3	4	5	6	7	8	9	0	1	2	3	4	5	6	7	8	9	0
1																																								
2																																								
3																																								
4																																								
5																																								
6																																								
7																																								
8																																								
9																																								
10																																								
11																																								
12																																								
13																																								
14																																								
15																																								

LINE	COLUMN	CONTENT	TYPE
2	2 - 11	account number (no input time all "0")	N10
2	20 - 23	print serial number (<u>VERIFY</u> push down times)	Z4
4	12 - 15	specified denomination (one of 1, 2, 5, 10, 20, 50, 100)	C4
6	8 - 12	fit notes quantity	Z5
7	8 - 12	unfit notes quantity	Z5
8	8 - 12	total quantity	Z5
9	8 - 12	manual input quantity	Z5
10	8 - 12	gross total quantity	Z5
6	14 - 23	fit notes amount	Z10(.inc.)
7	14 - 23	unfit notes amount	Z10(.inc.)
8	14 - 23	total amount	Z10(.inc.)
9	14 - 23	manual input amount	Z10(.inc.)
10	14 - 23	gross total amount (total + manual input)	Z10(.inc.)

	0										10										20									
	1	2	3	4	5	6	7	8	9	0	1	2	3	4	5	6	7	8	9	0	1	2	3							
1																														
2																														
3																														
4																														
5																														
6																														
7																														
8																														
9																														
10																														
11																														
12																														
13																														
14																														
15																														

LINE	COLUMN	CONTENT	TYPE
2	2 - 11	account number	N10
		(no input time all "0")	
2	20 - 23	print serial number	Z4
		(<u>VERIFY</u> push down times)	
3	12 - 15	specified denomination	C4
		(one of 1, 2, 5, 10, 20, 50, 100)	
5	8 - 12	fit notes quantity	Z5
6	8 - 12	unfit notes quantity	Z5
7	8 - 12	total quantity	Z5
8	8 - 12	manual input quantity	Z5
9	8 - 12	grandtotal quantity (total + manual	Z5
		input)	
5	14 - 23	fit notes amount	Z10(.inc.)
6	14 - 23	unfit notes amount	Z10(.inc.)
7	14 - 23	total amount	Z10(.inc.)
8	14 - 23	manual input amount	Z10(.inc.)
9	14 - 23	grandtotal amount (total + manual	Z10(.inc.)
		input)	

19 Fit / Unfit (batch total)

	0										10										20									
	1	2	3	4	5	6	7	8	9	0	1	2	3	4	5	6	7	8	9	0	1	2	3	4	5	6	7	8	9	0
1																														
2																														
3																														
4																														
5																														
6																														
7																														
8																														
9																														
10																														
11																														
12																														
13																														
14																														
15																														

LINE	COLUMN	CONTENT	TYPE
2	2 - 11	account number (no input time all "0")	N10
2	20 - 23	print serial number (<u>VERIFY</u> push down times)	Z4
4	12 - 15	specified denomination (one of 1, 2, 5, 10, 20, 50, 100)	C4
6	8 - 12	fit notes quantity	Z5
7	8 - 12	unfit notes quantity	Z5
8	8 - 12	total quantity	Z5
9	8 - 12	manual input quantity	Z5
10	8 - 12	grandtotal quantity (total - manual input)	Z5
6	14 - 23	fit notes amount	Z10(,inc.)
7	14 - 23	unfit notes amount	Z10(,inc.)
8	14 - 23	total amount	Z10(,inc.)
9	14 - 23	manual input amount	Z10(,inc.)
10	14 - 23	grandtotal amount (total + manual input)	Z10(,inc.)

